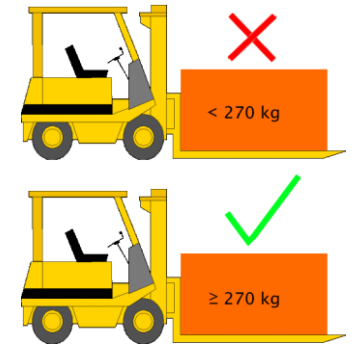
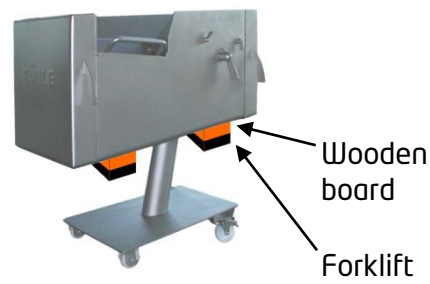
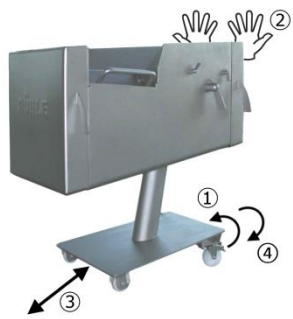




Quick installation guide

I • Installing the machine



II • Operation

- 1) Hood (Tool magazine)
- 2) Stabiliser
- 3) Grid halves
- 4) Grid frame
- 5) Mounting bracket (knife sharpener)
- 6) Fuse pre-compacting
- 7) Machine foot with guide roller parking brake
- 8) Pre-compacting
- 9) Main switch
- 10) Forward feed (Cutting length)
- 11) Supply cable
- 12) Slider (closure food chamber)
- 13) Workbench
- 14) Plunger
- 15) Chamber
- 16) Grid frame
- 17) Grid half (Outer - "O")
- 18) Grid half (Under - "U")
- 19) Type plate
- 20) Knife protection box
- 21) Protective guard
- 22) Cutting knife
- 23) Handle nut

III • Power supply



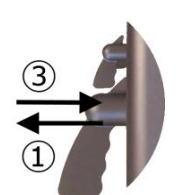
8 • Pre-compacting



9 • Main switch



10 • Forward feed



IV • Installing protective guard



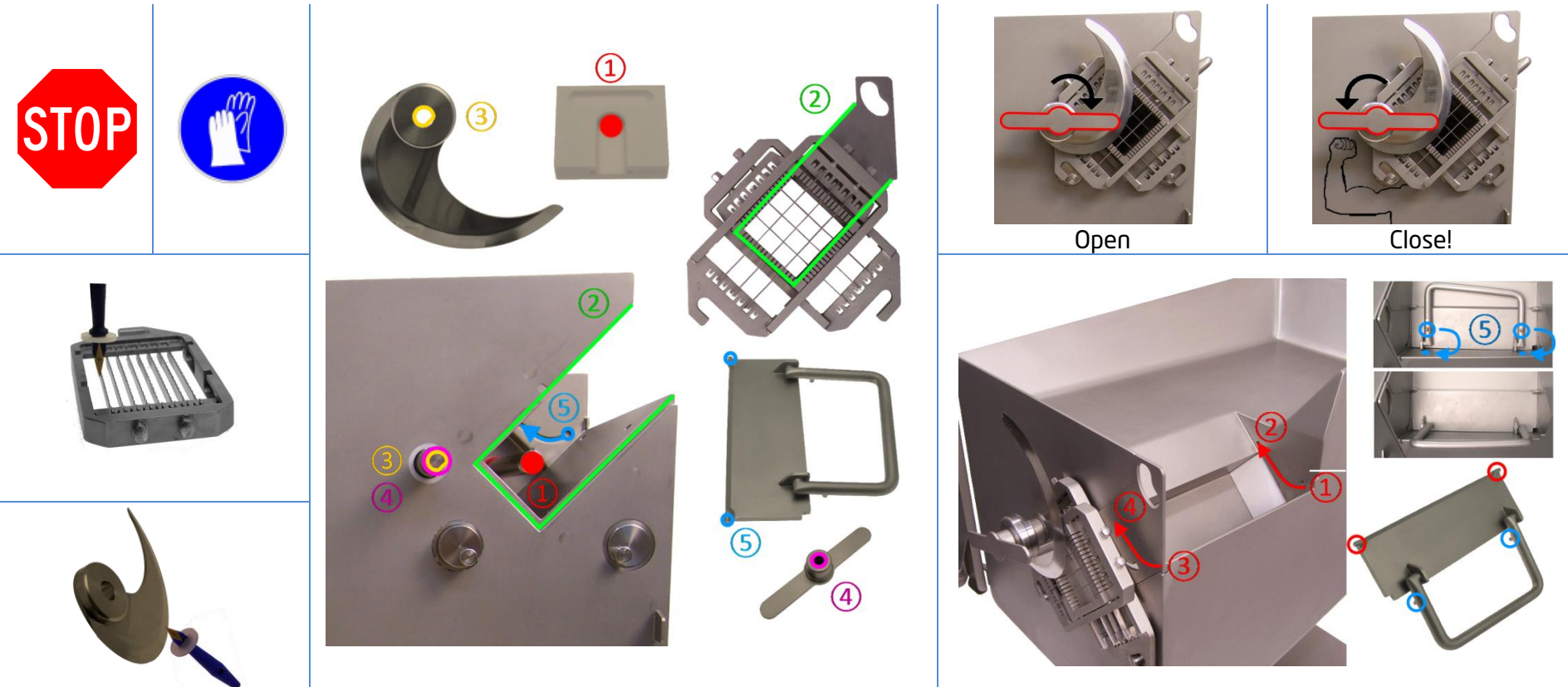
V • Box reception E1 / E2 / E3



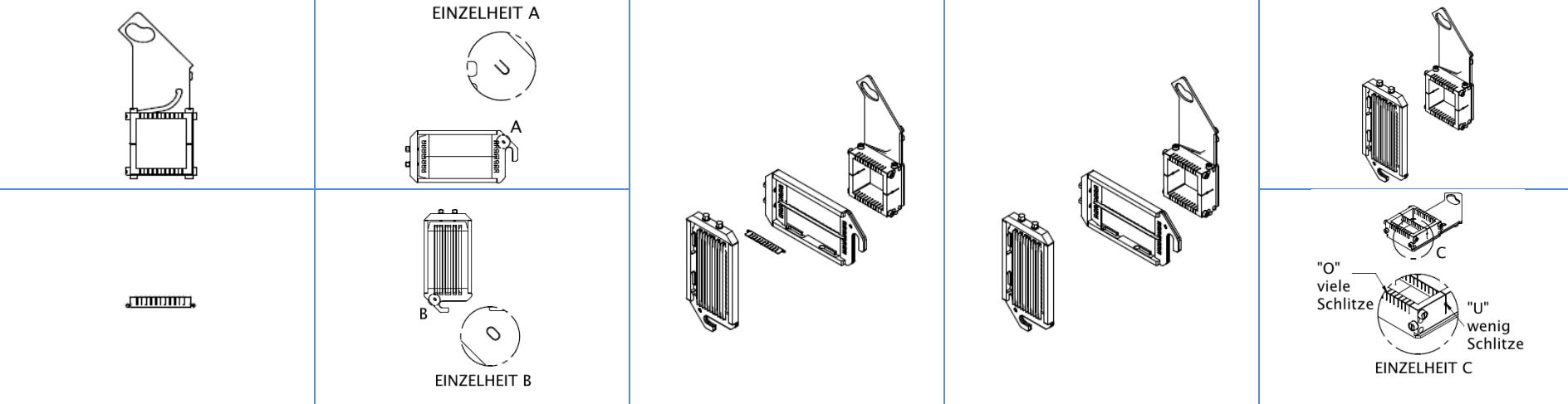
VI • Safety functions



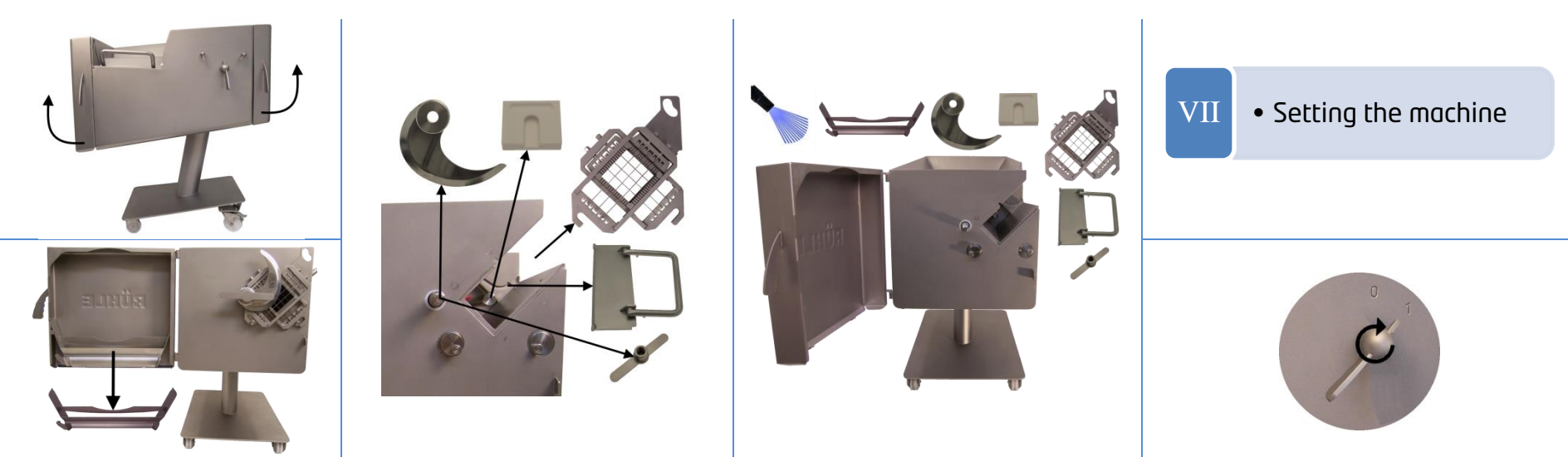
VII • Setting the machine



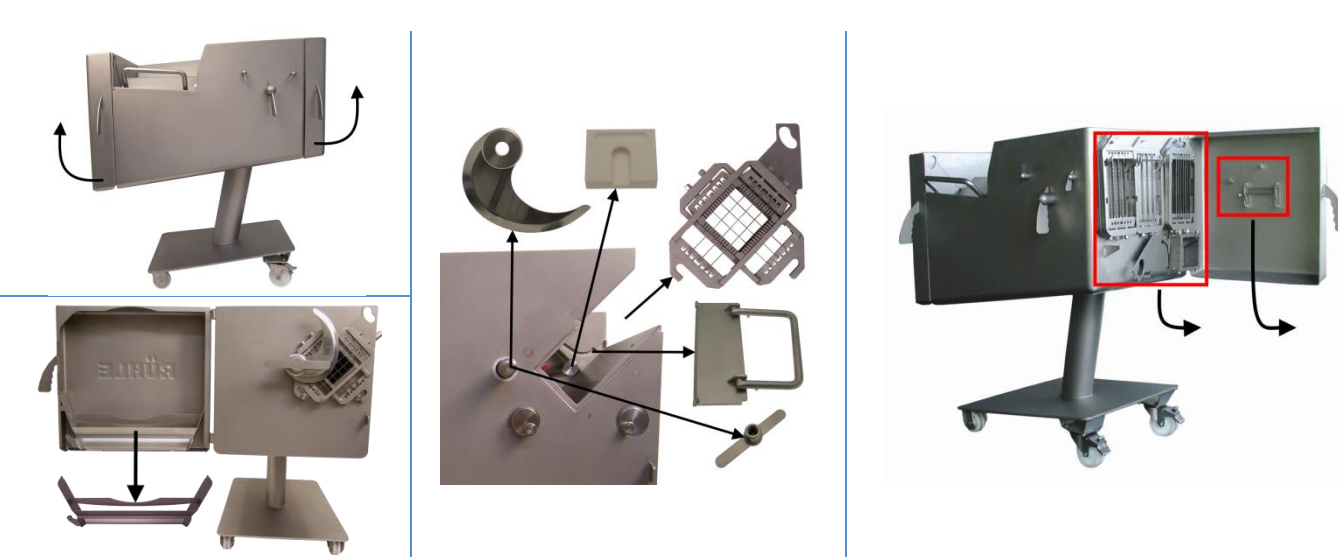
VIII • Grid / Grid set-up



IX • Initial operation



X • Cleaning (preparation)



XI • Cleaning

