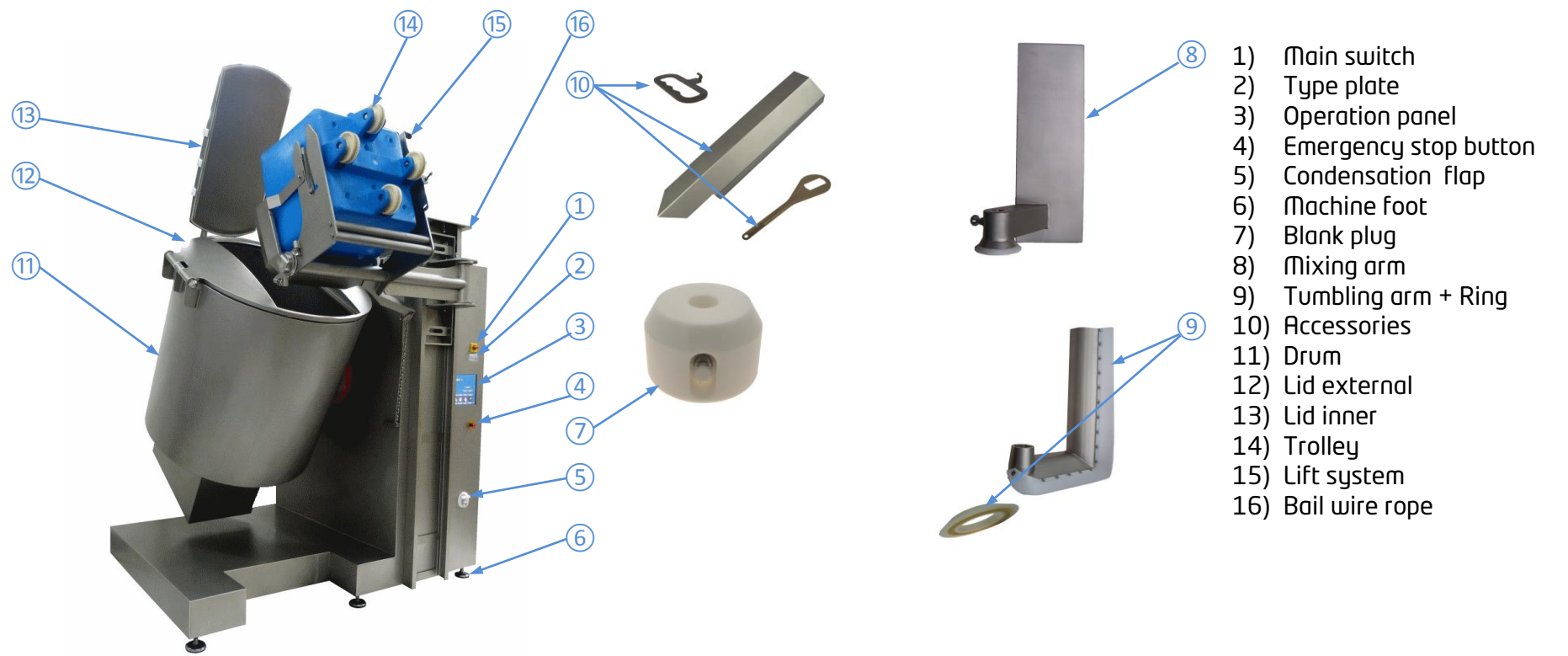




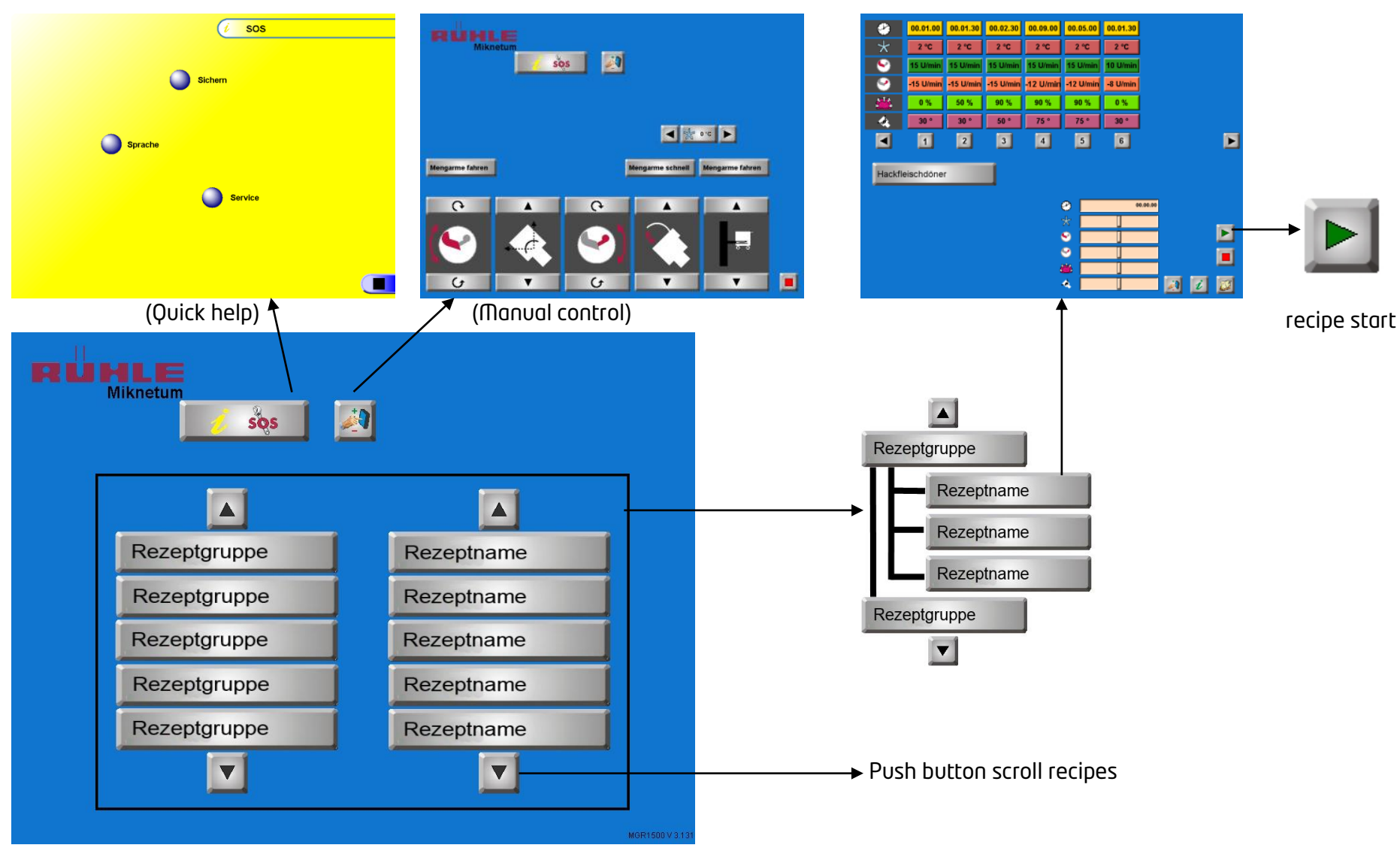
I • Installing the machine



II • Operation



▶ Recipe selection / recipe start



▶ Recipe selection / recipe start

Time

Temperature

Revolutions tumbling arm

Revolutions mixing arm

Vacuum

Drum position

Recipe name

Status information

Time	00.01.00	00.01.30	00.02.30	00.09.00	00.05.00	00.01.30
Temperature	2 °C	2 °C	2 °C	2 °C	2 °C	2 °C
Revolutions tumbling arm	15 U/min	15 U/min	15 U/min	15 U/min	15 U/min	10 U/min
Revolutions mixing arm	-15 U/min	-15 U/min	-15 U/min	-12 U/min	-12 U/min	-8 U/min
Vacuum	0 %	50 %	90 %	90 %	90 %	0 %
Drum position	30 °	30 °	50 °	75 °	75 °	30 °

Programming recipes

Factory setting password "0"

▶ Programming recipe

Save

Single phases

Name

Keyboard

Time	00.01.00	00.01.30	00.02.30	00.09.00	00.05.00	00.01.30	00.01.30
Temperature	2 °C	2 °C	2 °C	2 °C	2 °C	2 °C	2 °C
Revolutions tumbling arm	15 U/min	15 U/min	15 U/min	15 U/min	15 U/min	10 U/min	15 U/min
Revolutions mixing arm	-15 U/min	-15 U/min	-15 U/min	-12 U/min	-12 U/min	-8 U/min	-15 U/min
Vacuum	0 %	50 %	90 %	90 %	90 %	0 %	50 %
Drum position	30 °	30 °	50 °	75 °	75 °	30 °	30 °

▶ Manual settings

Start button refrigeration

Button individual mode of both arms

Button slow mode of both arms

Button lid position

Button lift system

Stop button

Button movement arms during discharge

Button tumbling arm

Button drum position

Button mixing arm

III • Cleaning

